

TK-6285TC-MC



Features and Functions

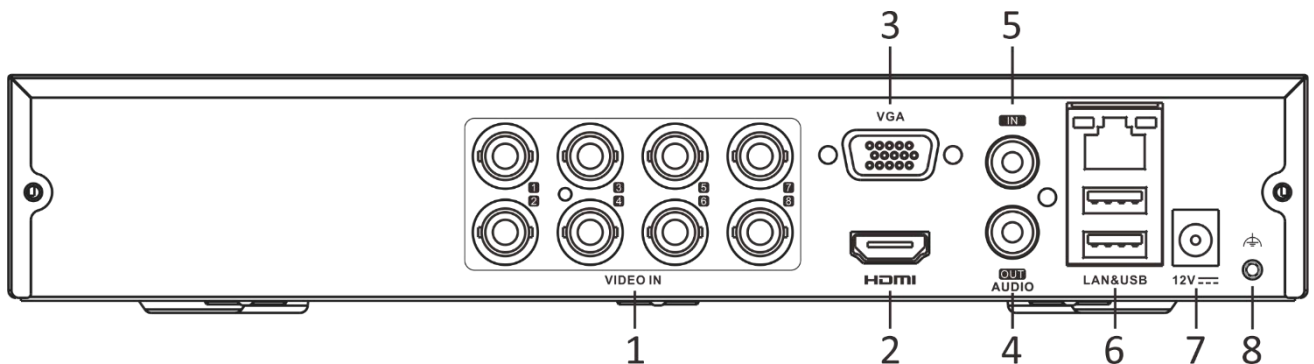
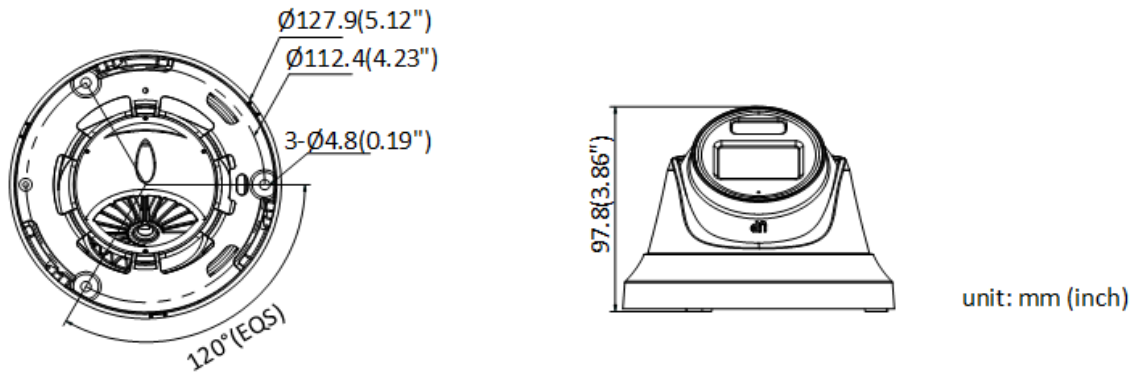
- H.265+/H.265/H.264+/H.264 encoding improves encoding efficiency and reduces data storage costs
- Up to 5MP resolution for recording
- 2 TB pre-installed HDD

Kit model	TK-6285TC-MC
DVR model	DVR-208U-M1
Camera model	6 * THC-T259-MS
Camera	
Image Sensor	3K CMOS
Signal System	PAL/NTSC
Resolution	2960 (H) × 1665 (V)
Frame Rate	TVI: 3K @ 20 fps, 4 MP @ 25 fps/30 fps, 1080p @ 25 fps/30 fps AHD: 4 MP @ 25 fps/30 fps CVI: 4 MP @ 25 fps/30 fps CVBS: PAL/NTSC
Min. Illumination	0.001 Lux @ (F1.0, AGC ON), 0 Lux with white light
Shutter Time	PAL: 1/25 s to 1/50,000 s;NTSC: 1/30 s to 1/50,000 s
Lens	2.8 mm fixed focal lens
Field of View	2.8 mm, horizontal FOV: 113°, vertical FOV: 62°, diagonal FOV: 137°
Lens Mount	M12
Light Alarm	Solid Light Alarm (White Light)
Day & Night	24/7 Color Imaging
WDR (Wide Dynamic Range)	Digital WDR
Angle Adjustment	Pan: 0° to 360°, Tilt: 0° to 75°, Rotation: 0° to 360°
Image	
White Light	Auto/Off
Image Mode	STD/HIGH-SAT/HIGHLIGHT
AGC	Yes
Day/Night Mode	Color
White Balance	Auto/Manual
AE (Auto Exposure) Mode	DWDR,BLC,HLC,Global
Noise Reduction	2D DNR
Language	English
Function	Brightness,Sharpness,Anti-Banding
Lighting Mode	White Light
Interface	
Video Output	Switchable TVI/AHD/CVI/CVBS
General	
Operating Conditions	-40°C to 60°C (-40°F to140°F), Humidity: 90% or less (non-condensing)
Power Supply	12 VDC±25% <i>*You are recommended to use one power adapter to supply the power for one camera.</i>

Consumption	Max. 4.2 W
Protection Level	IP66
Material	Metal
White Light Range	Up to 40 m
Dimension	Φ 127.92 mm × 97.8 mm (Φ 5.04" × 3.86")
Weight	Approx. 480 g (1.06 lb.)
DVR	
Motion Detection 2.0	
Human/Vehicle Analysis	Human/Vehicle Analysis
Recording	
Video Compression	Video Compression
Encoding Resolution	Encoding Resolution
Frame Rate	Frame Rate
Video Bitrate	Video Bitrate
Dual-stream	Dual-stream
Stream Type	Stream Type
Audio Compression	Audio Compression
Audio Bitrate	Audio Bitrate
Video and Audio	
IP Video Input	IP Video Input
Analog Video Input	Analog Video Input
HDTV Input	HDTV Input
AHD Input	AHD Input
HDCVI Input	HDCVI Input
CVBS Input	CVBS Input
HDMI Output	HDMI Output
VGA Output	VGA Output
Video Output Mode	Video Output Mode
Audio Input	Audio Input
Audio Output	Audio Output
Two-Way Audio	Two-Way Audio
Synchronous playback	Synchronous playback
Network	
Total Bandwidth	Total Bandwidth
Network Protocol	Network Protocol
Remote Connection	Remote Connection
Network Interface	Network Interface
Wi-Fi	Wi-Fi
Auxiliary Interface	
SATA	SATA
Capacity	Capacity
USB Interface	USB Interface
General	
Power Supply	
Consumption	Consumption

Working Temperature	Working Temperature
Working Humidity	Working Humidity
Dimension (W × D × H)	Dimension (W × D × H)
Weight	Weight

▪ Dimension



No.	Description	No.	Description
1	Video and coaxial audio in	5	AUDIO IN, RCA connector
2	HDMI interface	6	LAN network interface and USB interface
3	VGA interface	7	12 VDC power input
4	AUDIO OUT, RCA connector	8	GND

▪ Accessory

▪ Optional

PC130T	CM	CBM	PM	WML
Pendant cap	Corner mount	Corner Base	Pole Mount	Wall Mount